



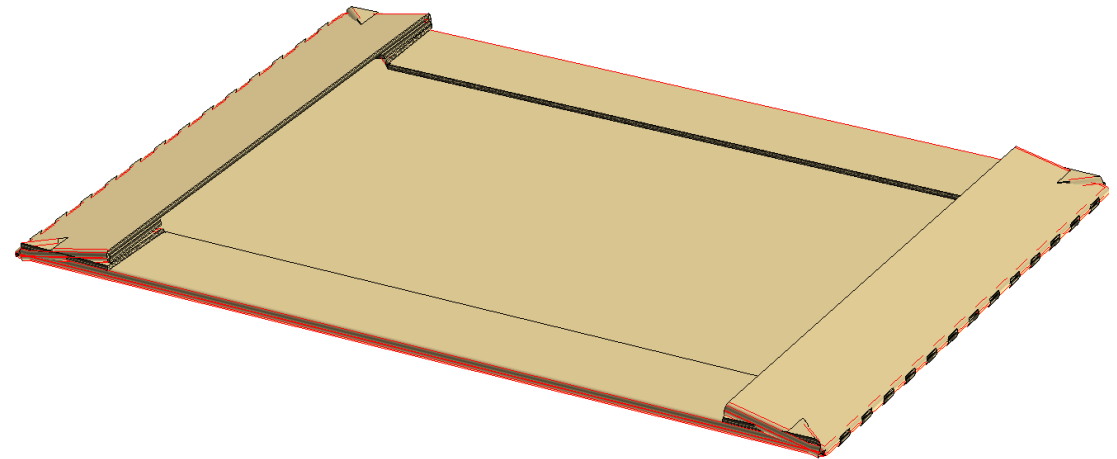
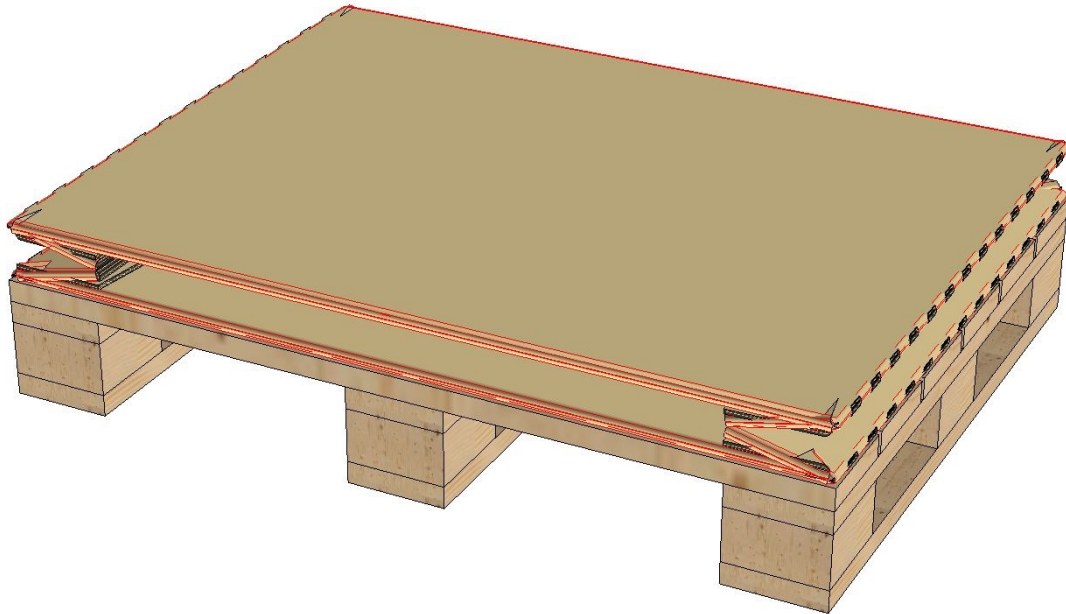
OSPB – PACKAGING ASSORTMENT & SELECTION

ASSEMBLY INSTRUCTION FOR ONE-WAY CONTAINERS



SETTING UP THE PALLET BOTTOM

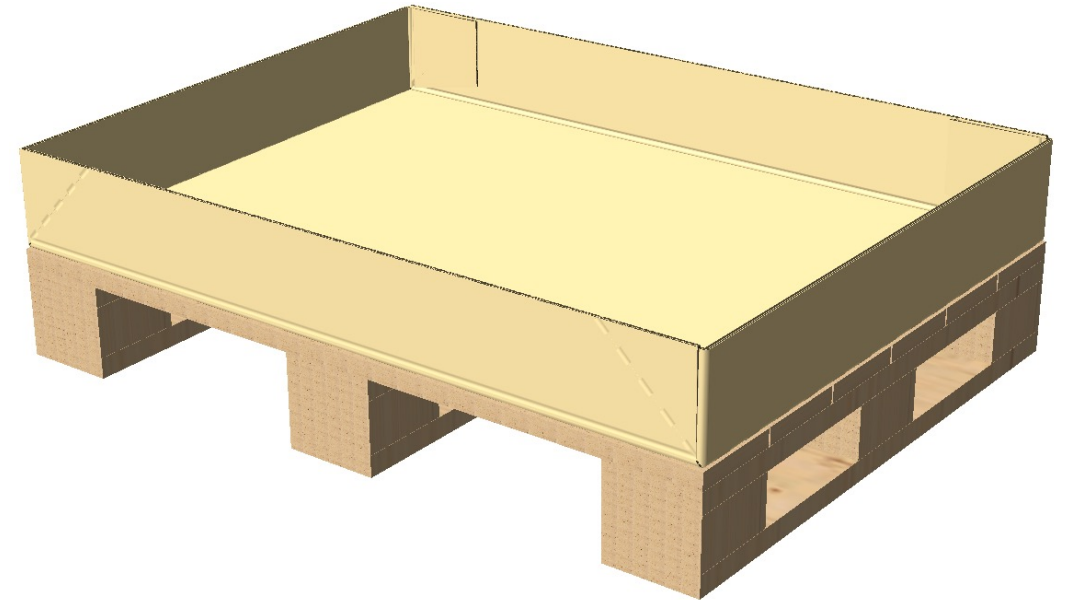
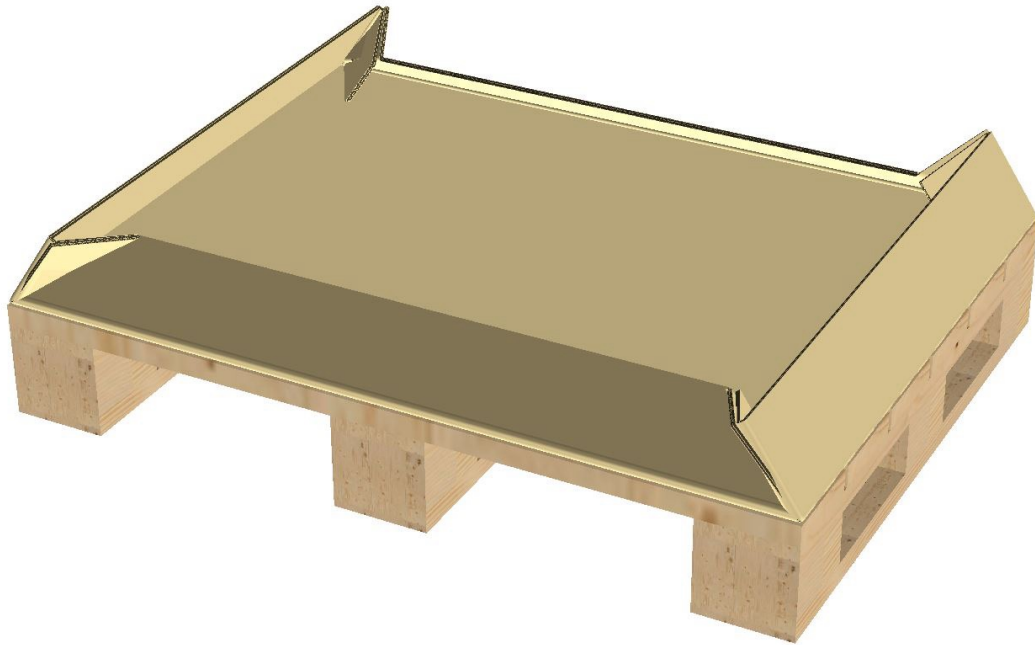
STEP 1 – REMOVE THE LID FROM THE BASE





SETTING UP THE PALLET BOTTOM

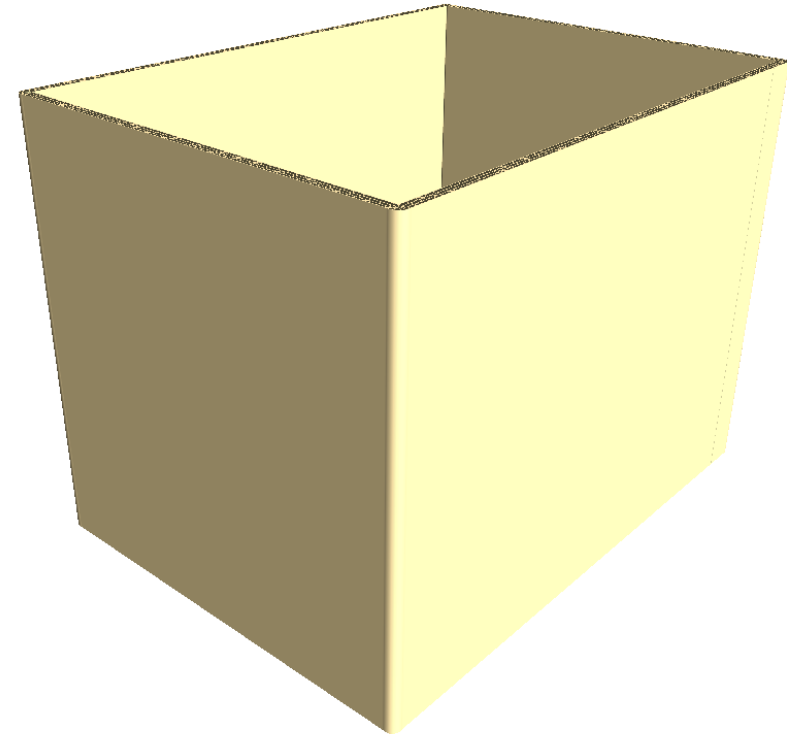
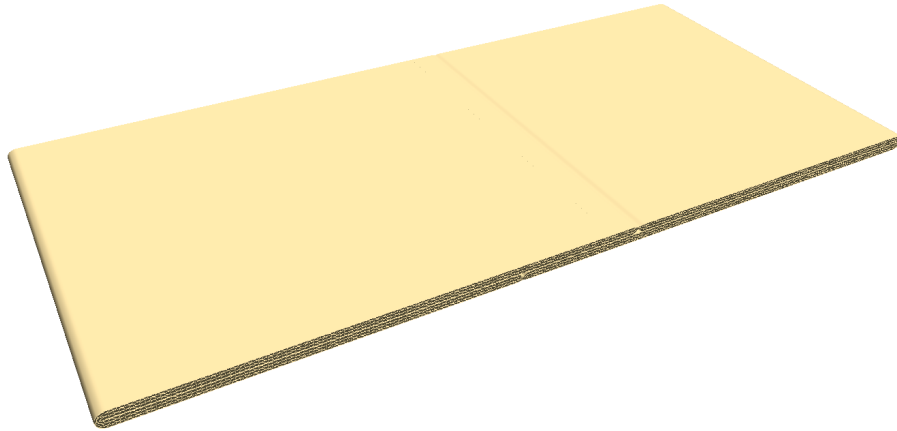
STEP 2 – UNFOLD THE BOTTOM





UNFOLD THE SLEEVE

STEP 3 – TAKE A SLEEVE AND UNFOLD IT

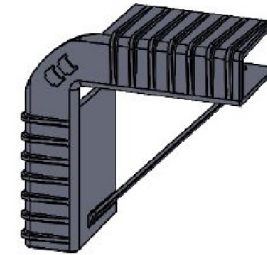
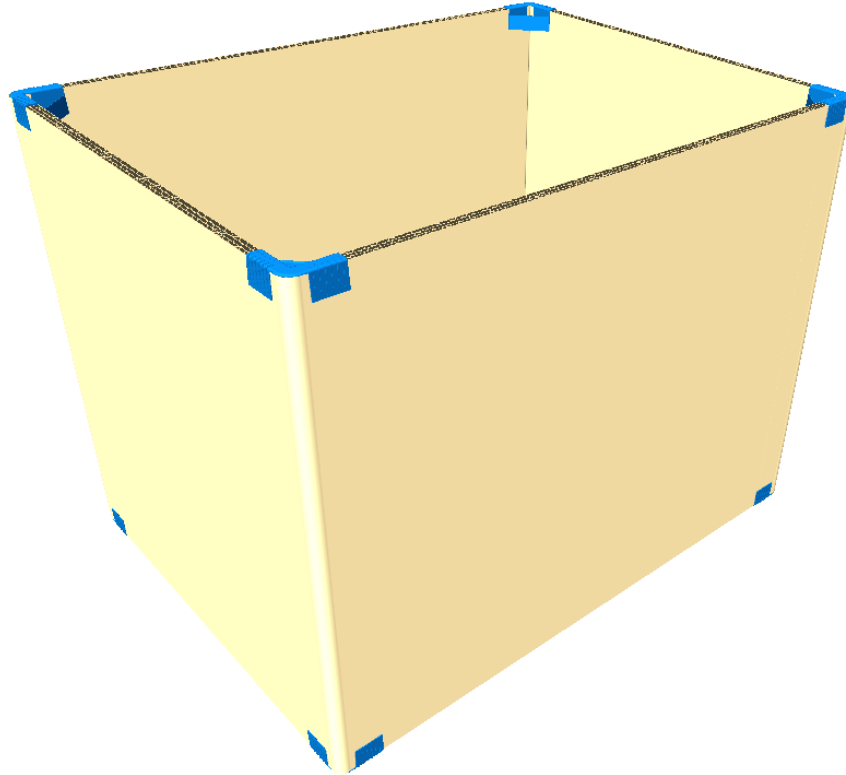




OPTIONAL - ADD THE REINFORCEMENT

OPTIONAL STEP – PLACE REINFORCEMENT HOLDERS IN ALL CORNERS

e.g. a (ThimmCorner) at both the bottom and top of the sleeve.

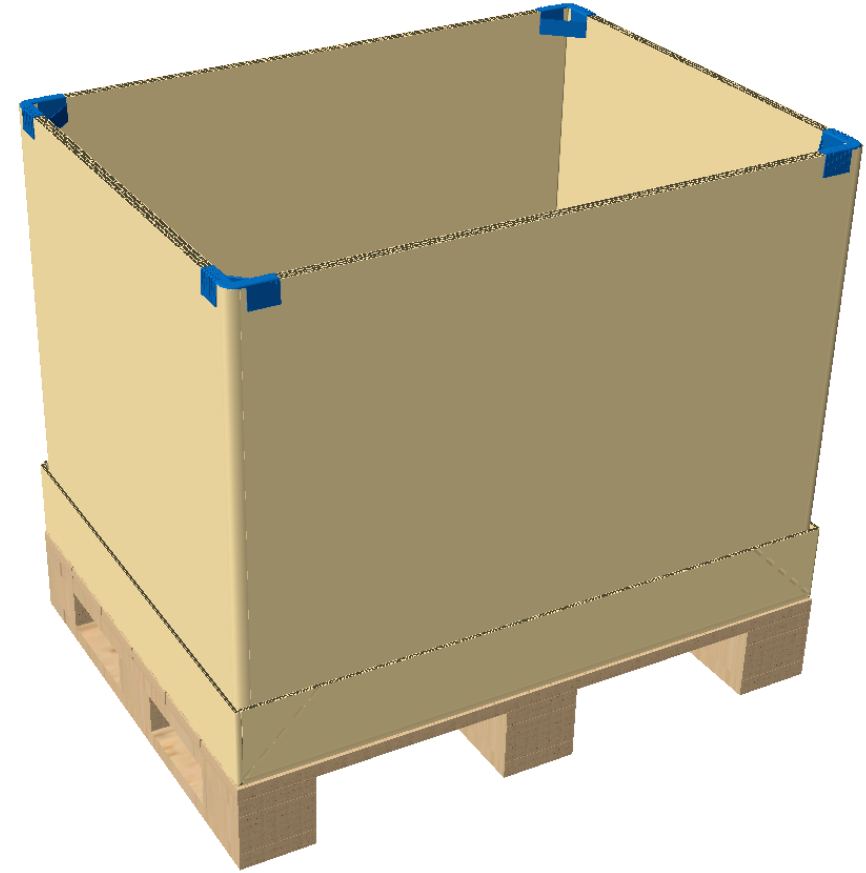
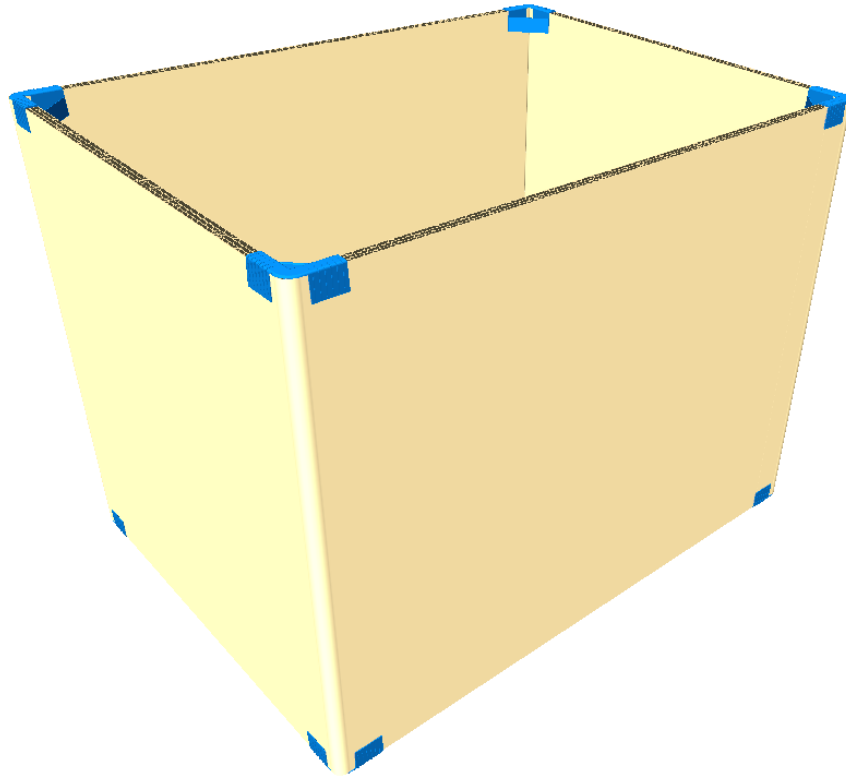


X8



ADD SLEEVE TO PALLET BOTTOM

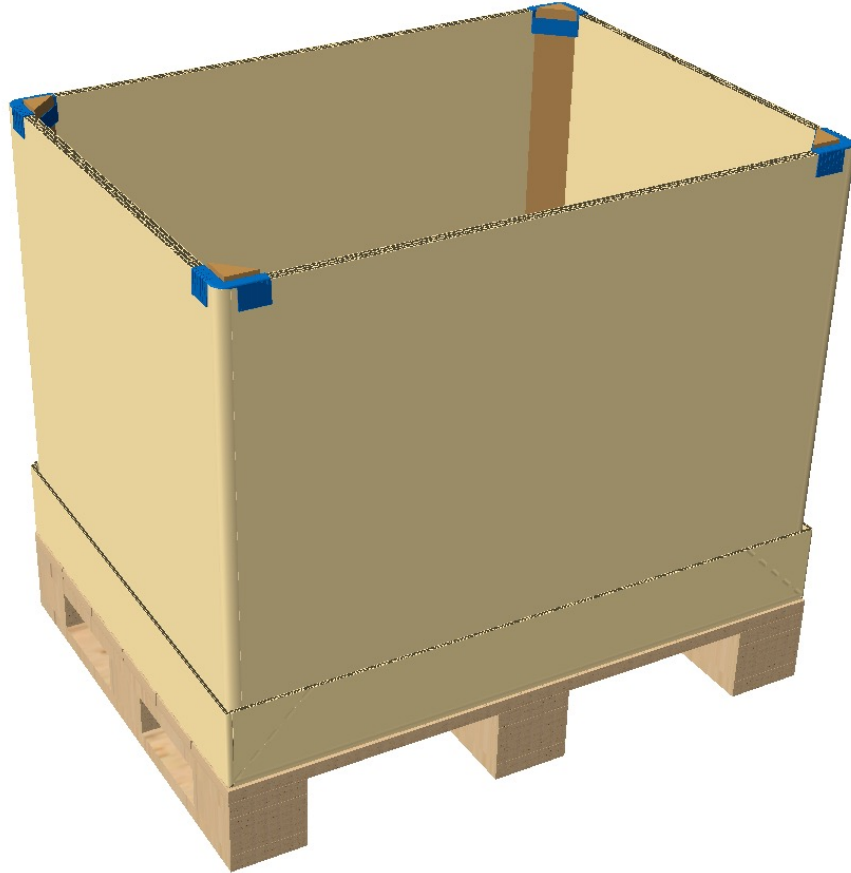
STEP 4 – PLACE THE SLEEVE IN THE PALLET BOTTOM





OPTIONAL - ADD THE REINFORCEMENT

OPTIONAL STEP – PLACE THE REINFORCEMENT BEAMS IN EVERY CORNER

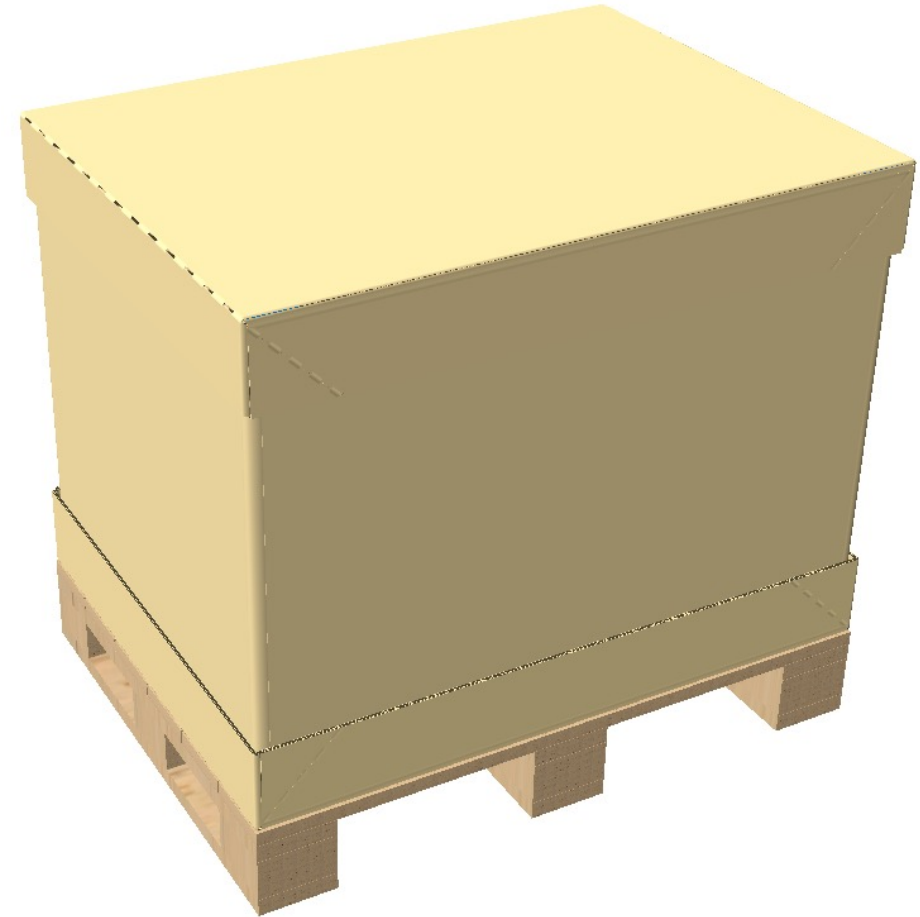
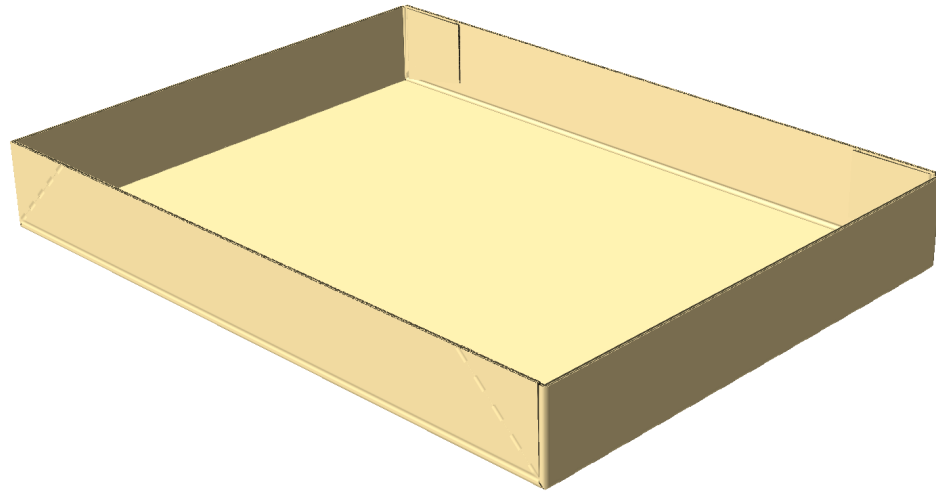


X4



PLACE THE LID ON TOP

STEP 6 – PLACE THE LID ON TOP OF THE CONTAINER





SCANIA