

# Bill of material

800x600x1000 mm

POS.	CAD-number	amount	article description	inside Dimension (mm)	material
1	D4899450147 <small>Rev.: A</small>	1	pallet / special /	800 x 600 x 144	Nadelholz IPPC /
2	D4899448372 <small>Rev.: A</small>	2	04 - Folder-type boxes and trays / 0452 /	794 x 993 x 5	DIN 2.30 EB /
3	D4899450037 <small>Rev.: 0</small>	1	05 - Slide-type boxes / 0501 /	760 x 560 x 1000	DIN 2.96/3 CAA /
4	TRICOR Corner <small>Rev.: 0</small>	8	plastic element / /	64.5 x 0 x 32	Other /
5	D4899449989 <small>Rev.: 0</small>	4	wood element / /	1010 x 38 x 38	Nadelholz IPPC /
6	D048905608 <small>Rev.: 0</small>	4	corner protector / /	50 x 50 x 100	Vollpappe /



project description

**H-pallet 3Wall 1000mm with 1 Flap**

printing date

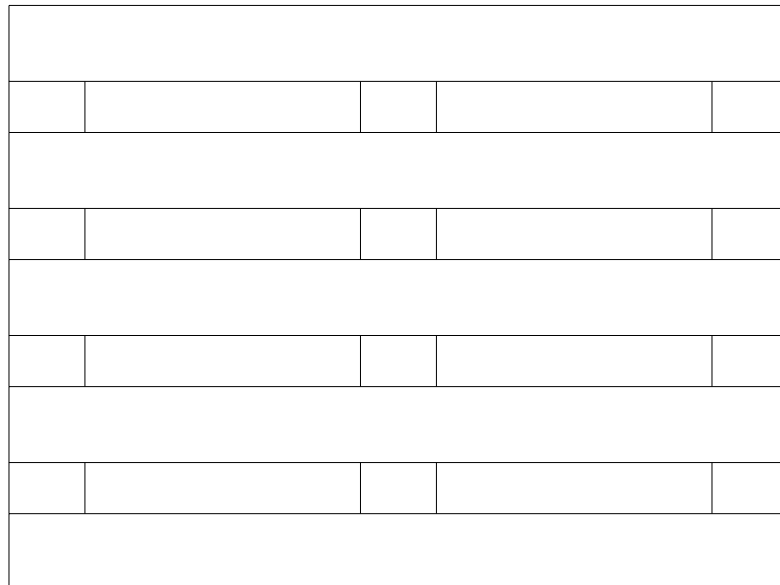
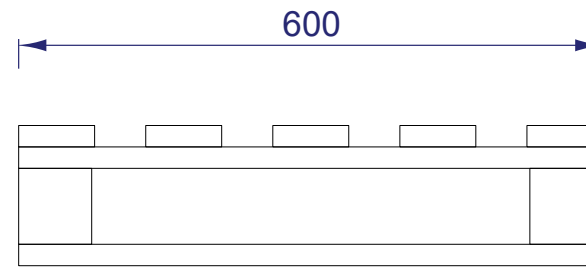
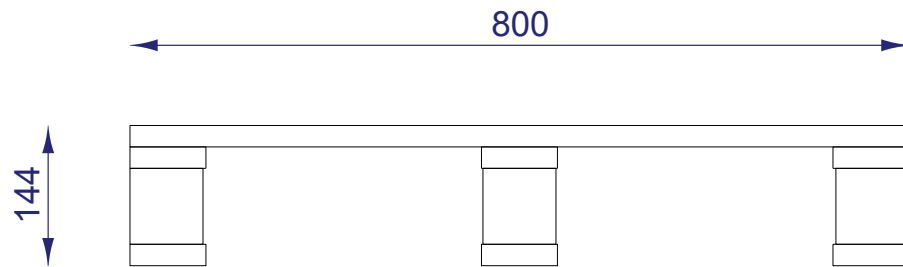
07.02.2024

Project weight (kg)

16.3

**X000055566\_A**

# Specification



5 Top Board 800 x 78 x 22mm
3 Middle Board 600 x 78 x 22mm
6 Wooden Block 75 x 75 x 78mm
3 Bottom Board 600 x 78 x 22mm
Nailing: Min. 2 Grooved / screw nails per joint
Tolerance (+/-): 2mm
IPPC standard (yes/no): Yes, stamped
Residual moisture : Max. 20%

Drawing shows outside view



material: Nadelholz IPPC /	
dimension (mm): 800 x 600 x 144	
ascertained weight ca. (kg): 7.5	print:
calculated weight ca. (kg): 0.000	fastener:

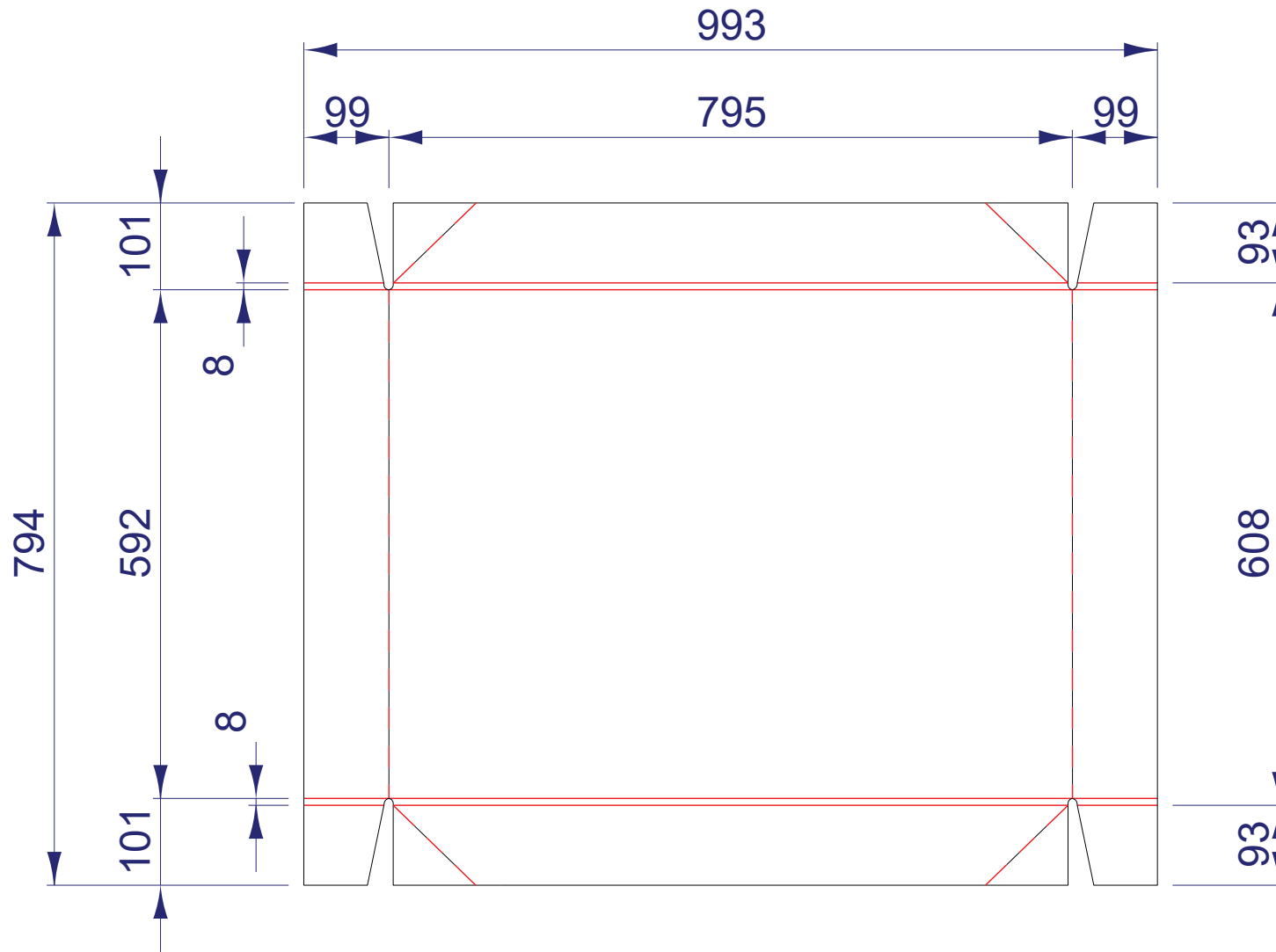
Flute-/  
Grain direction:



add. information:  
Coniferous wood IPPC

Project description: H-pallet 3Wall 1000mm with 1 Flap
Project-n°: X000055566 A
CAD-n°: D4899450147 A
printing date : 07.02.2024

# Specification



Drawing shows outside view



material: DIN 2.30 EB /	
dimension (mm): 794 x 993 x 5	
ascertained weight ca. (kg):	print:
calculated weight ca. (kg): 0.500	fastener: 4-corner stitched

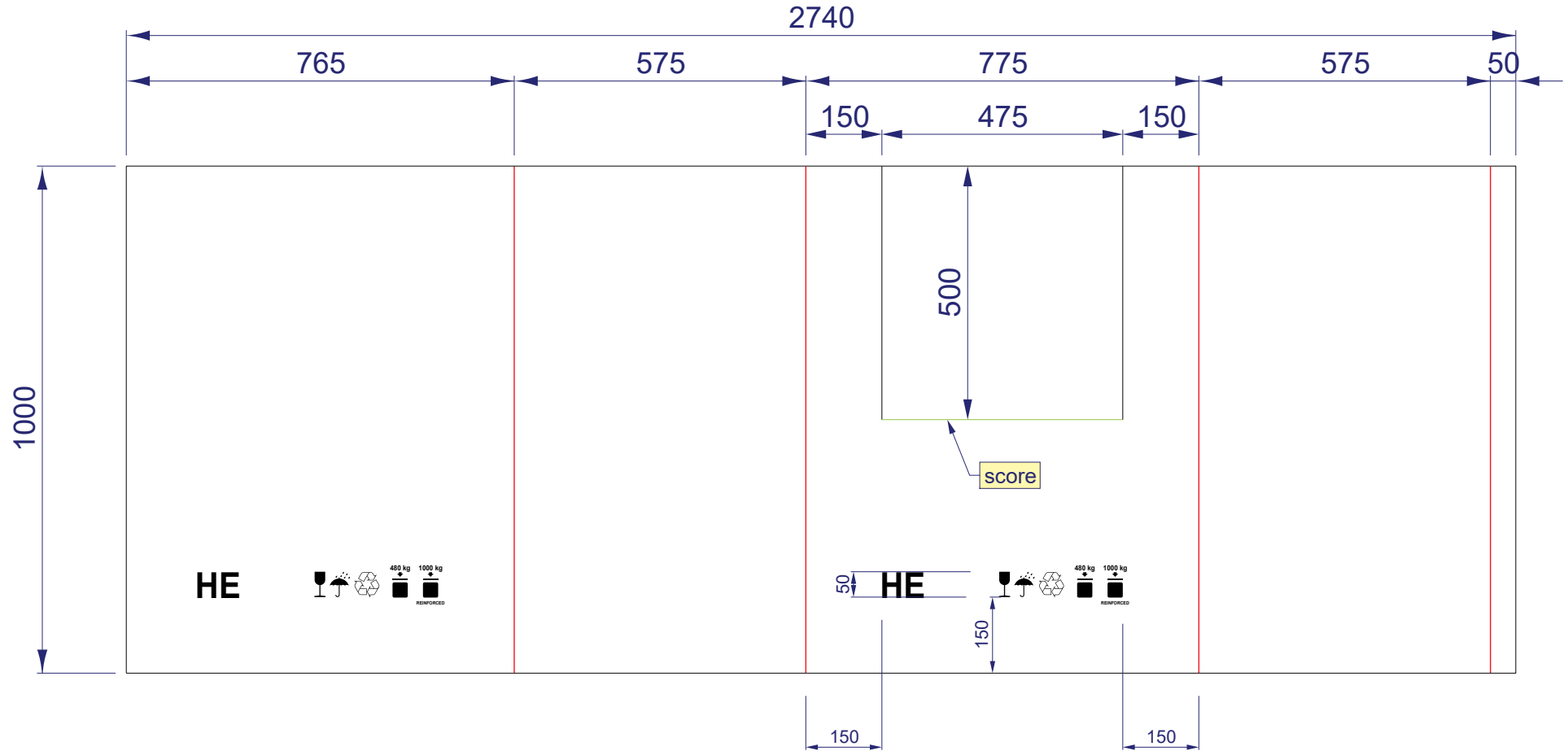
Flute-/  
Grain direction:



add. information:  
H-pallet bottom and lid

Project description: H-pallet 3Wall 1000mm with 1 Flap	
Project-n°: X000055566 A	
CAD-n°: D4899448372	Rev. A
printing date: 07.02.2024	

# Specification



Drawing shows outside view



material: DIN 2.96/3 CAA /	
dimension (mm): 760 x 560 x 1000	
ascertained weight ca. (kg):	print: 1-colored
calculated weight ca. (kg): 4.581	fastener: Inner flap glued and stitched

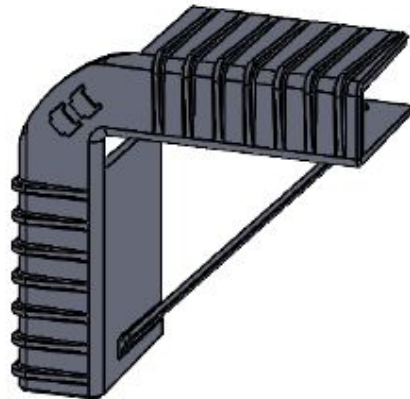
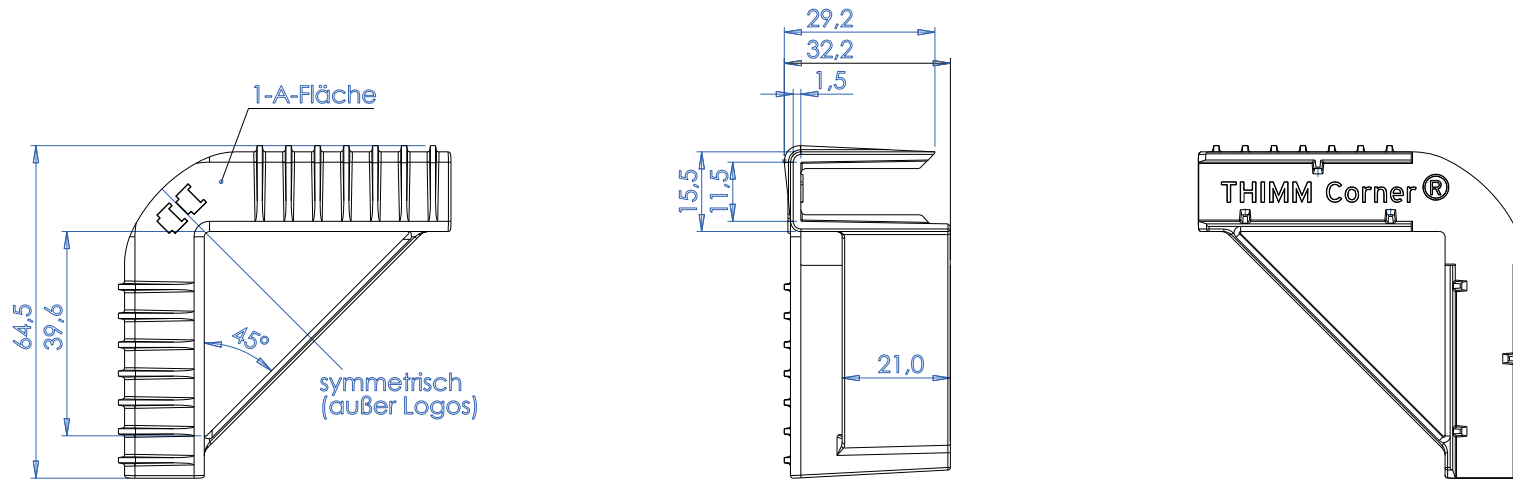
Flute-/  
Grain direction:



add. information:  
H-Ring CAA 1000mm 1 flap

Project description: H-pallet 3Wall 1000mm with 1 Flap	
Project-n°: X000055566 A	
CAD-n°: D4899450037	Rev. 0
printing date: 07.02.2024	

# Specification



Toleranzen nach: DIN 16742 - TG3  
 Material: Papercompound  
 Gewicht: 13,35 g

Drawing shows outside view



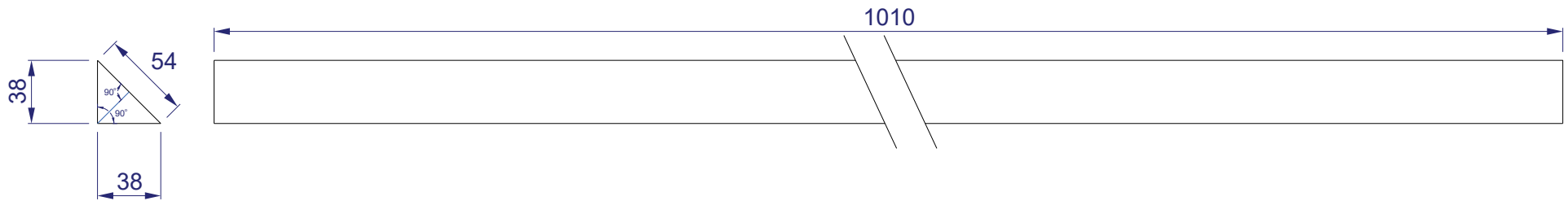
material: <b>Other /</b>	
dimension (mm): <b>64.5 x 0 x 32</b>	
ascertained weight ca. (kg):	print:
calculated weight ca. (kg): <b>0.000</b>	fastener:

Flute-/  
Grain direction:



Project description: H-pallet 3Wall 1000mm with 1 Flap	
Project-n°: <b>X000055566_A</b>	
CAD-n°:	Rev.
<b>TRICOR Corner 0</b>	
printing date: <b>07.02.2024</b>	

# Specification

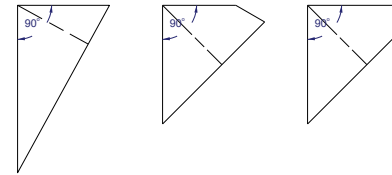


Residual moisture: 14%  
 Tolerance  
 38mm (+0/-1,5)  
 54mm (+0/-2)  
 1010mm (+0/-2)

Apply IPPC stamp in the middle of the 54mm wide area

Wooden strips must be free of cracks and knots  
 knotholes and clusters of knotholes.

not permitted  
 $a \neq b$



Drawing shows outside view



material: Nadelholz IPPC /	
dimension (mm): 1010 x 38 x 38	
ascertained weight ca. (kg): 0.36	print:
calculated weight ca. (kg): 0.000	fastener:

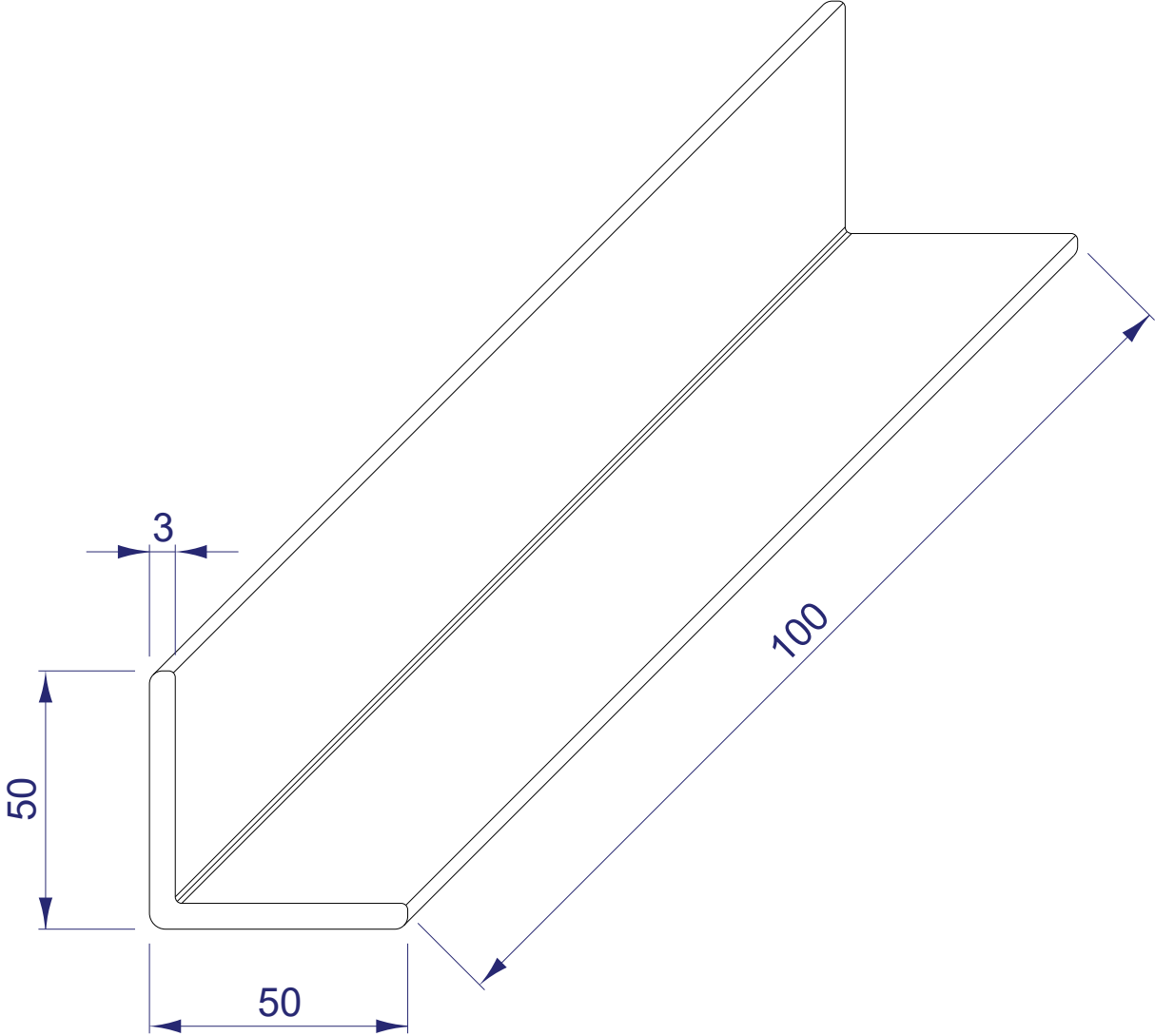
Flute-/  
 Grain direction:



add. information:  
 Coniferous wood IPPC

Project description: H-pallet 3Wall 1000mm with 1 Flap	
Project-n°: X000055566_A	
CAD-n°: D4899449989	Rev. 0
printing date : 07.02.2024	

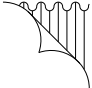
# Specification



Drawing shows outside view



material: <b>Vollpappe /</b>	
dimension (mm): <b>50 x 50 x 100</b>	
ascertained weight ca. (kg):	print:
calculated weight ca. (kg): <b>0.000</b>	fastener:

Flute-/ Grain direction:	
add. information: <b>strap protection</b>	

Project description: <b>H-pallet 3Wall 1000mm with 1 Flap</b>	
Project-n°: <b>X000055566</b>	Rev. <b>A</b>
CAD-n°: <b>D048905608</b>	0
printing date : <b>07.02.2024</b>	